

# 2009

## Price Schedule

# Field Check Worksheet

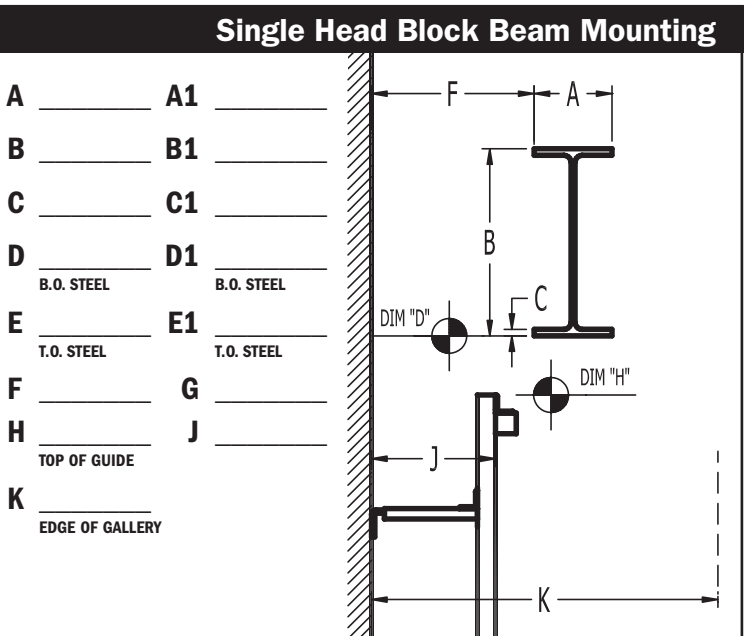
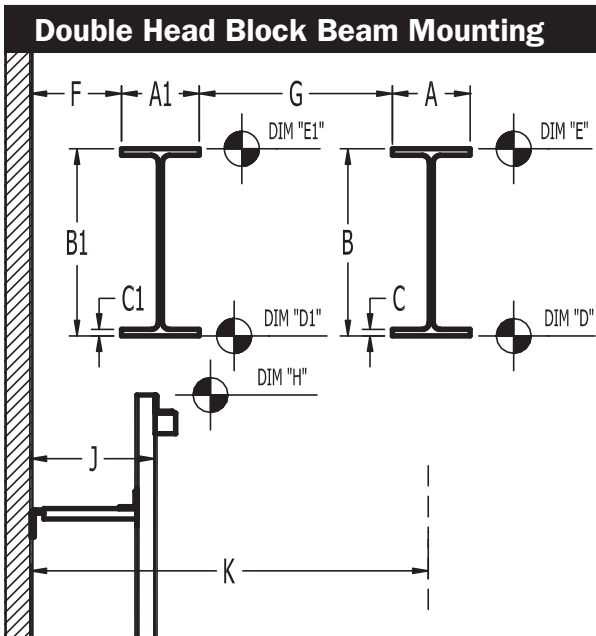
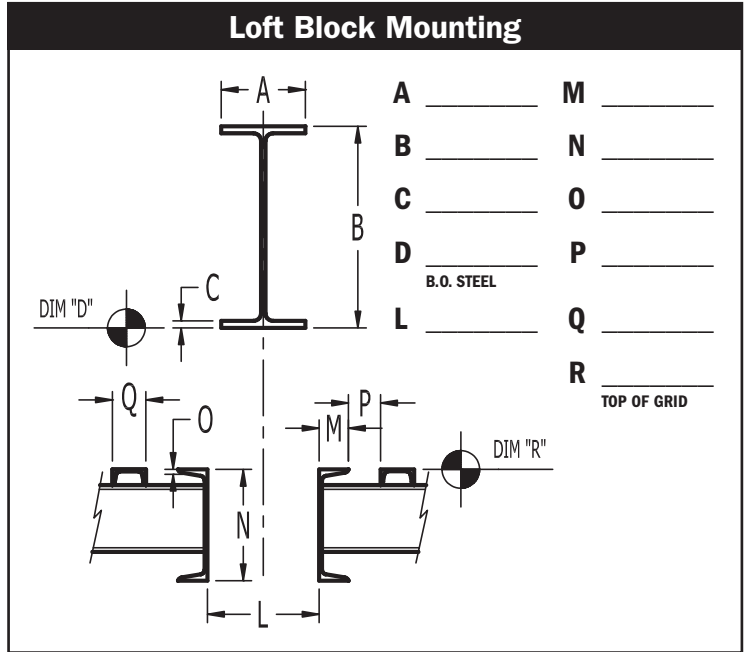
Complete form and fax to Dealer Project Manager at 315-451-1766.

Job Name: \_\_\_\_\_ Date Completed: \_\_\_\_\_

Job Location: \_\_\_\_\_ Completed By: \_\_\_\_\_

Room/Venue: \_\_\_\_\_ Company Name: \_\_\_\_\_

**Special Conditions**



© 2008 J.R. CLANCY, INC.

Field Notes: \_\_\_\_\_

Additional field check information is on the Installation page of our website.

# 2009 Price Schedule

Be sure to include a completed Field Check Worksheet with your order to avoid delay.

## Head Blocks – J-Guide/T-Bar

| Description                                    | CAST IRON    |              |                 | NYLON        |              |                 |
|--|--------------|--------------|-----------------|--------------|--------------|-----------------|
|  | Weight (lbs) | Product Code | List Price (Ea) | Weight (lbs) | Product Code | List Price (Ea) |
| <b>Single Purchase – Upright Head Blocks</b>   |              |              |                 |              |              |                 |
| 8", 6 Line                                     | 46           | 1CS-60855R   | 540.00          |              |              |                 |
| 8", 8 Line                                     | 52           | 1CS-80855R   | 600.00          |              |              |                 |
| 12", 6 Line                                    | 72           | 1CS-61255R   | 580.00          | 40           | 1NS-61255R   | 560.00          |
| 12", 8 Line                                    | 79           | 1CS-81255R   | 640.00          | 41           | 1NS-81255R   | 580.00          |
| 12", 10 Line                                   | 86           | 1CS-101255   | 850.00          |              |              |                 |
| 16", 6 Line                                    | 140          | 1CS-61655R   | 1,800.00        |              |              |                 |
| 16", 8 Line                                    | 147          | 1CS-81655R   | 1,950.00        |              |              |                 |
| <b>Single Purchase – Underhung Head Blocks</b> |              |              |                 |              |              |                 |
| 8", 6 Line                                     | 46           | 1CS-60859R   | 540.00          |              |              |                 |
| 8", 8 Line                                     | 52           | 1CS-80859R   | 600.00          |              |              |                 |
| 12", 6 Line                                    | 74           | 1CS-61259R   | 580.00          | 40           | 1NS-61259R   | 560.00          |
| 12", 8 Line                                    | 80           | 1CS-81259R   | 640.00          | 41           | 1NS-81259R   | 580.00          |
| 12", 10 Line                                   | 86           | 1CS-101259   | 850.00          |              |              |                 |
| 16", 6 Line                                    | 140          | 1CS-61659R   | 1,800.00        |              |              |                 |
| 16", 8 Line                                    | 147          | 1CS-81659R   | 2,000.00        |              |              |                 |
| <b>Double Purchase – Upright Head Blocks</b>   |              |              |                 |              |              |                 |
| 12", 6 Line                                    | 76           | 1CD-61255R   | 610.00          | 44           | 1ND-61255R   | 620.00          |
| 12", 8 Line                                    | 84           | 1CD-81255R   | 710.00          | 46           | 1ND-81255R   | 645.00          |
| <b>Double Purchase – Underhung Head Blocks</b> |              |              |                 |              |              |                 |
| 12", 6 Line                                    | 78           | 1CD-61259R   | 610.00          | 44           | 1ND-61259R   | 620.00          |
| 12", 8 Line                                    | 85           | 1CD-81259R   | 710.00          | 46           | 1ND-81259R   | 645.00          |

## Head Block Options – See page 2 for required ordering dimensions

| Description   | Weight (lbs) | Product Code | List Price (Ea) |
|---|--------------|--------------|-----------------|
| Mounting Clip, All Sizes – 2 required per block                                     | 2.5          | 070-CLIP     | 9.00 <b>Q</b>   |
| Mounting Angle for Underhung Head Block – 2 required per block                      | 9            | 070-CA       | 24.00 <b>Q</b>  |
| Add Wire Guide Tieoffs – Change the last letter on the order number from "R" to "W" |              |              | N/C             |
| Special Grooving and Sheave Material – Available upon request                       |              |              | P.O.R.          |

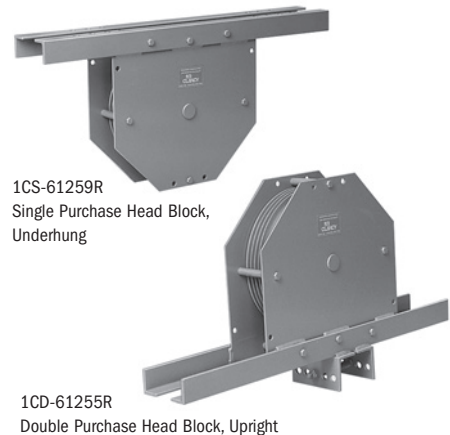
**Q - Quick Ship - See page 15 for details**

### Head Block Components

- Cast iron or molybdenum disulphied filled nylon sheave.
- 8" and 12" blocks have 1/4" cable grooves and 3/4" rope groove, with 1" tapered roller bearings.
- 16" blocks have 3/8" cable grooves and a 1" rope groove, with 1-1/2" tapered roller bearings.

#### Mounting Hardware:

- Order separately from Head Block Options.
- Upright head blocks require two mounting clips, #070-CLIP – specify beam thickness.
- Underhung head blocks require two mounting angles, #070-CA – specify beam thickness and spacing. Welding recommended.
- Clips and angles are furnished with bolts, flat washers, and lock nuts.



## Loft Blocks – 1/4" Cable Type

| Description                                 | CAST IRON    |                    |                 | NYLON        |                    |                 |
|---|--------------|--------------------|-----------------|--------------|--------------------|-----------------|
|   | Weight (lbs) | Product Code       | List Price (Ea) | Weight (lbs) | Product Code       | List Price (Ea) |
| <b>19 Series</b>                            |              |                    |                 |              |                    |                 |
| 8", 1 Line, Ball Bearing, 3/8" Throat       | 14           | <b>2CC-10819R</b>  | 155.00          | 9            | <b>2NC-10819R</b>  | 100.00 <b>Q</b> |
| 8", 2 Line, Ball Bearing, 3/8" Throat       | 14           | <b>2CC-20819R</b>  | 175.00          | 10           | <b>2NC-20819R</b>  | 185.00          |
| 8", 1 Line, Tapered Bearing, 3/8" Throat    | 14           | <b>3CC-10819R</b>  | 183.00          | 9            | <b>3NC-10819R</b>  | 128.00          |
| 8", 2 Line, Tapered Bearing, 3/8" Throat    | 14           | <b>3CC-20819R</b>  | 203.00          | 10           | <b>3NC-20819R</b>  | 213.00          |
| 8", 4 Line, Tapered Bearing, 3/8" Throat    | 34           | <b>3CC-40819R</b>  | 370.00          | 25           | <b>3NC-40819R</b>  | 330.00          |
| 8", 8 Line, Tapered Bearing, 3/8" Throat    | 44           | <b>3CC-80819R</b>  | 480.00          | 28           | <b>3NC-80819R</b>  | 440.00          |
| 8", 10 Line, Tapered Bearing, 3/8" Throat   | 49           | <b>3CC-100819R</b> | 880.00          | 30           | <b>3NC-100819R</b> | 600.00          |
| 12", 1 Line, Tapered Bearing, 3/8" Throat   | 47           | <b>3CC-11219R</b>  | 450.00          |              |                    |                 |
| <b>Universal Series</b>                     |              |                    |                 |              |                    |                 |
| 8", 1 Line, Ball Bearing                    | 20           | <b>2CC-10855R</b>  | 150.00          | 15           | <b>2NC-10855R</b>  | 95.00 <b>Q</b>  |
| 8", 2 Line, Ball Bearing                    | 20           | <b>2CC-20855R</b>  | 170.00          | 16           | <b>2NC-20855R</b>  | 180.00          |
| 8", 1 Line, Tapered Bearing                 | 20           | <b>3CC-10855R</b>  | 178.00          | 15           | <b>3NC-10855R</b>  | 123.00          |
| 8", 2 Line, Tapered Bearing                 | 20           | <b>3CC-20855R</b>  | 203.00          | 16           | <b>3NC-20855R</b>  | 208.00          |
| 8", 4 Line, Tapered Bearing                 | 40           | <b>3CC-40855R</b>  | 370.00          | 31           | <b>3NC-40855R</b>  | 340.00          |
| 8", 8 Line, Tapered Bearing – Upright       | 52           | <b>3CC-80855R</b>  | 480.00          | 32           | <b>3NC-80855R</b>  | 440.00          |
| 8", 8 Line, Tapered Bearing – Underhung     | 52           | <b>3CC-80859R</b>  | 480.00          | 32           | <b>3NC-80859R</b>  | 440.00          |
| 8", 10 Line, Tapered Bearing – Upright      | 55           | <b>3CC-100855R</b> | 855.00          |              |                    |                 |
| 8", 10 Line, Tapered Bearing – Underhung    | 55           | <b>3CC-100859R</b> | 855.00          |              |                    |                 |
| 12", 1 Line, Tapered Bearing                | 50           | <b>3CC-11255R</b>  | 450.00          |              |                    |                 |
| 12", 2 Line, Tapered Bearing                | 50           | <b>3CC-21255R</b>  | 660.00          |              |                    |                 |
| 12", 8 Line, Tapered Bearing – Upright      | 74           | <b>3CC-81255R</b>  | 660.00          |              |                    |                 |
| 12", 8 Line, Tapered Bearing – Underhung    | 74           | <b>3CC-81259R</b>  | 660.00          |              |                    |                 |
| 16", 1 Line, Tapered Bearing – Steel Sheave | 110          | <b>3CC-11655R</b>  | 1,400.00        |              |                    |                 |

## Loft Blocks – 3/16" Cable Type

| Description                              | Description | NYLON        |                   |                 |
|--|-------------|--------------|-------------------|-----------------|
|  |             | Weight (lbs) | Product Code      | List Price (Ea) |
| <b>19 Series</b>                         |             |              |                   |                 |
| 8", 1 Line, Ball Bearing, 3/8" Throat    |             | 9            | <b>2NP-10819R</b> | 100.00 <b>Q</b> |
| 8", 1 Line, Tapered Bearing, 3/8" Throat |             | 9            | <b>3NP-10819R</b> | 128.00          |
| 8", 8 Line, Tapered Bearing, 3/8" Throat |             | 28           | <b>3NP-80819R</b> | 440.00          |
| <b>Universal Series</b>                  |             |              |                   |                 |
| 8", 1 Line, Ball Bearing                 |             | 15           | <b>2NP-10855R</b> | 95.00 <b>Q</b>  |
| 8", 1 Line, Tapered Bearing              |             | 15           | <b>3NP-10855R</b> | 123.00          |
| 8", 8 Line, Tapered Bearing – Upright    |             | 32           | <b>3NP-80855R</b> | 440.00          |
| 8", 8 Line, Tapered Bearing – Underhung  |             | 32           | <b>3NP-80859R</b> | 440.00          |

**Q** - Quick Ship - See page 15 for details



2NC-10855R  
Universal Loft Block



4NR-50855R  
Multi-Sheave Block



2NC-10819R  
19 Series Loft Block

# Loft Blocks – 3/4" Rope Type

| Description   | CAST IRON    |              |                 | NYLON        |              |                 |
|---|--------------|--------------|-----------------|--------------|--------------|-----------------|
|   | Weight (lbs) | Product Code | List Price (Ea) | Weight (lbs) | Product Code | List Price (Ea) |
| <b>Underhung Loft Blocks – 19 Series</b>                              |              |              |                 |              |              |                 |
| 8", 1 Line, Ball Bearing, 3/8" Throat                                 | 10           | 2CR-10819R   | 155.00          | 7            | 2NR-10819R   | 100.00          |
| <b>Universal Loft Block – 55 Series – May be upright or underhung</b> |              |              |                 |              |              |                 |
| 8", 1 Line, Ball Bearing  | 18           | 2CR-10855R   | 150.00          | 15           | 2NR-10855R   | 95.00           |

# Multi Sheave Blocks

| Description   | CAST IRON    |              |                 | NYLON        |              |                 |
|---|--------------|--------------|-----------------|--------------|--------------|-----------------|
|   | Weight (lbs) | Product Code | List Price (Ea) | Weight (lbs) | Product Code | List Price (Ea) |
| <b>Multi Sheave Blocks – 55 Series – May be upright or underhung</b>                      |              |              |                 |              |              |                 |
| 8", 2 Sheave, Ball Bearing, 3/4" Rope Groove  | 27           | 4CR-20855R   | 420.00          | 21           | 4NR-20855R   | 275.00          |
| 8", 3 Sheave, Ball Bearing, 3/4" Rope Groove  | 35           | 4CR-30855R   | 530.00          | 26           | 4NR-30855R   | 315.00          |
| 8", 4 Sheave, Ball Bearing, 3/4" Rope Groove  | 42           | 4CR-40855R   | 630.00          | 31           | 4NR-40855R   | 350.00          |
| 8", 5 Sheave, Ball Bearing, 3/4" Rope Groove  | 50           | 4CR-50855R   | 730.00          | 36           | 4NR-50855R   | 390.00          |
| <b>Multi Sheave Block Options</b>   |              |              |                 |              |              |                 |
| 1/4" Cable Grooves – Change 3rd character in the order number prefix from an "R" to a "C" |              |              |                 |              |              | N/C             |

# Loft Block Options – See page 2 for required ordering dimensions

| Description  | Weight (lbs) | Product Code | List Price (Ea) |
|--|--------------|--------------|-----------------|
| Clip Pack – 4 J-Bolts, 2 Clips, 1 U-Clip & Hardware  | 3.5          | 070-CP       | 28.00           |
| Mounting Clip, All Sizes – 2 required per block  | 2.5          | 070-CLIP     | 9.00 <b>Q</b>   |
| Unistrut™ Mounting Bracket (1 line 55 series blocks) – 2 required per block                      | 1            | 070-UNI      | 9.00 <b>Q</b>   |
| Pivot Bracket (For beams 4" – 8-1/2" wide for single line 55 series blocks) – Includes clips     | 12           | 070-PIVOT    | 130.00          |
| Add Tieoff for Wire Guided Clew  | 1            | 3CC-HBTO     | 36.00           |
| Add Idlers to 8" Underhung Blocks – Change last letter to "I3" or "I6" to indicate 3 or 6 idlers | 1            |              | 25.00           |
| Special Grooving and Sheave Material – Available upon request                                    |              |              | P.O.R.          |

**Q – Quick Ship – See page 15 for details**

**Loft Block Components**

- 17mm sealed precision ball bearings or tapered roller bearings in 8" blocks.
- 1" tapered roller bearings in 12" and 16" blocks and in 8" blocks with 4 or 8 cable grooves.

**Mounting Hardware: 19 Series Loft Blocks**

- 19 Series blocks include angle clips.
- Blocks have a 3/8" throat with a grip range of 4" – 9". Change the suffix from "R" to "U" for a 3/4" throat with a 4-1/8" – 10" grip range.

**Mounting Hardware: 55 Series Loft Blocks**

- 55 Series blocks require two mounting clips – specify beam thickness. Clips are furnished with bolts, flat washers, and lock nuts.
- Blocks have a 24" base angle with universal punching for a grip range up to 20".
- Brackets are available for Unistrut™ mounting, #070-UNI.
- Pivot adaptors bolt to the base angles and include mounting flanges – specify beam thickness. Pivot adaptors may need to be welded in place.
- 8-Line blocks have the base angles turned in, requiring different upright and underhung models.

**⚠ CAUTION**

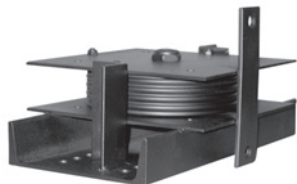
Clips can be furnished for mounting and/or alignment of blocks. Under certain conditions, it may be necessary to weld blocks to structure due to imposed loads.

## Mule Block Components

- Cast iron sheave.
- 17mm sealed precision ball bearings or tapered roller bearings on 1 and 2 line 8" blocks and 1" tapered roller bearings on all others.
- 1/4" cable grooves are standard.

### Mounting Clips:

- Clips with bolts, flat washers, and lock nuts are available.
- Mule blocks need to be welded in place after alignment.



5C3-40812C  
4 Line Mule Block  
with Optional Wire Guide Tieoff

## Floor Block Components

- 3/4" rope groove standard.

### Mounting Shoes:

- "Welch" tension blocks are furnished with shoes. Specify 6" or 8" centers when ordering.



**CALL US  
ANYTIME!**

We're always ready  
to answer your questions  
or to provide assistance.

**1-800-836-1885**



6CR-1015  
Welch Tension Floor Block

## Mule Blocks

| Description                             | Weight (lbs) | Product Code      | List Price (Ea) |
|---|--------------|-------------------|-----------------|
| 8", 1 Line, Ball Bearing, Cast Iron     | 30           | <b>5C2-10812C</b> | 395.00 <b>Q</b> |
| 8", 1 Line, Tapered Bearing, Cast Iron  | 30           | <b>5C3-10812C</b> | 425.00          |
| 8", 2 Line, Ball Bearing, Cast Iron     | 31           | <b>5C2-20812C</b> | 415.00          |
| 8", 2 Line, Tapered Bearing, Cast Iron  | 31           | <b>5C3-20812C</b> | 440.00          |
| 8", 4 Line, Tapered Bearing, Cast Iron  | 49           | <b>5C3-40812C</b> | 535.00          |
| 8", 8 Line, Tapered Bearing, Cast Iron  | 56           | <b>5C3-80812C</b> | 630.00 <b>Q</b> |
| 12", 1 Line, Tapered Bearing, Cast Iron | 60           | <b>5C3-11212C</b> | 720.00          |
| 12", 8 Line, Tapered Bearing, Cast Iron | 88           | <b>5C3-81212C</b> | 985.00          |

### Mule Blocks Options

|  |     |                   |               |
|--|-----|-------------------|---------------|
| Mule Block Swivel                      | 15  | <b>5C2-SWIVEL</b> | 300.00        |
| Mule Block Stand for 1 & 2 Line Blocks | 30  | <b>5C2-850S</b>   | 350.00        |
| Mule Block Stand for 4 & 8 Line Blocks | —   | <b>5C2-850HS</b>  | 800.00        |
| Mounting Clips, All Sizes              | 2.5 | <b>070-CLIP</b>   | 9.00 <b>Q</b> |
| Add Tieoff for Wire Guided Clew        | 1   | <b>3CC-HBTO</b>   | 36.00         |

## Floor Blocks

| Description                                    | Weight (lbs) | Product Code     | List Price (Ea) |
|--|--------------|------------------|-----------------|
| <b>"Welch" Tension Floor Blocks</b>            |              |                  |                 |
| 10", Cast Iron                                 | 41           | <b>6CR-1015</b>  | 250.00 <b>Q</b> |
| 10", Cast Iron ( <i>Less than 6" centers</i> ) | 43           | <b>6CR-1015U</b> | 385.00          |
| 12", Cast Iron                                 | 48           | <b>6CR-1215</b>  | 375.00          |

### Combination Floor Blocks

|  |    |                |                 |
|--|----|----------------|-----------------|
| 8", Fixed Cast Iron Block with Rope Lock       | 49 | <b>6CR-118</b> | 455.00          |
| 8", Fixed Nylatron Block with Rope Lock        | 46 | <b>6NR-118</b> | 400.00          |
| 10", Adjustable Cast Iron Block with Rope Lock | 71 | <b>6CR-218</b> | 540.00 <b>Q</b> |
| 12", Adjustable Cast Iron Block with Rope Lock | 80 | <b>6CR-418</b> | 700.00          |

### Miscellaneous

|   |     |                 |          |
|---|-----|-----------------|----------|
| 8", Wire Guide Floor Block, 8" Cast Iron                            | 18  | <b>6CR-855M</b> | 185.00   |
| 8", Wire Guide Floor Block, 8" Nylatron                             | 15  | <b>6NR-855M</b> | 130.00   |
| Floor Block Clip Package ( <i>Required for 855M Series blocks</i> ) | 3.5 | <b>070-FBCP</b> | 28.00    |
| 12", Cast Iron Sliding Tension Pulley                               | 40  | <b>6CR-1218</b> | 595.00   |
| 16", Cast Iron Sliding Tension Pulley                               | 64  | <b>6CR-1618</b> | 1,900.00 |

### Floor Block Options

|  |   |                     |       |
|--|---|---------------------|-------|
| Adder for 7", 9" or 10" Shoes ( <i>Order 2 per block</i> ) | — | <i>Specify Size</i> | 13.00 |
|--|---|---------------------|-------|

**Q - Quick Ship - See page 15 for details**



6CR-118  
Fixed Cast Iron Block with Rope Lock



6CR-218  
Adjustable Cast Iron Block with Rope Lock

# Counterweight Arbors

| Description   | Weight (lbs) | Product Code | List Price (Ea) |
|---|--------------|--------------|-----------------|
| <b>J-Guide/T-Bar Counterweight Arbor, Single Purchase – 15 Series</b> |              |              |                 |
| 4', J-Guide/T-Bar Arbor   | 56           | 007-15X04    | 380.00          |
| 5', J-Guide/T-Bar Arbor   | 63           | 007-15X05    | 395.00          |
| 6', J-Guide/T-Bar Arbor   | 71           | 007-15X06    | 410.00 <b>Q</b> |
| 7', J-Guide/T-Bar Arbor   | 78           | 007-15X07    | 425.00          |
| 8', J-Guide/T-Bar Arbor   | 85           | 007-15X08    | 440.00 <b>Q</b> |
| 9', J-Guide/T-Bar Arbor   | 92           | 007-15X09    | 455.00          |
| 10', J-Guide/T-Bar Arbor  | 99           | 007-15X10    | 470.00          |
| 11', J-Guide/T-Bar Arbor  | 106          | 007-15X11    | 490.00          |
| 12', J-Guide/T-Bar Arbor  | 113          | 007-15X12    | 510.00          |
| 13', J-Guide/T-Bar Arbor  | 122          | 007-15X13    | 530.00          |
| <b>J-Guide/T-Bar Counterweight Arbor, Double Purchase – 15 Series</b> |              |              |                 |
| 6 Line Arbor, 6'  | 113          | 008-615X06   | 965.00          |
| 6 Line Arbor, 7'  | 120          | 008-615X07   | 980.00          |
| 6 Line Arbor, 8'  | 127          | 008-615X08   | 995.00          |
| 6 Line Arbor, 9'  | 134          | 008-615X09   | 1010.00         |
| 6 Line Arbor, 10'   | 141          | 008-615X10   | 1025.00         |
| 6 Line Arbor, 11'   | 148          | 008-615X11   | 1045.00         |
| 6 Line Arbor, 12'   | 155          | 008-615X12   | 1065.00         |
| 6 Line Arbor, 13'   | 163          | 008-615X13   | 1085.00         |
| 8 Line Arbor, 6'  | 119          | 008-815X06   | 1045.00         |
| 8 Line Arbor, 7'  | 126          | 008-815X07   | 1060.00         |
| 8 Line Arbor, 8'  | 133          | 008-815X08   | 1075.00         |
| 8 Line Arbor, 9'  | 140          | 008-815X09   | 1090.00         |
| 8 Line Arbor, 10'   | 147          | 008-815X10   | 1105.00         |
| 8 Line Arbor, 11'   | 154          | 008-815X11   | 1125.00         |
| 8 Line Arbor, 12'   | 161          | 008-815X12   | 1145.00         |
| 8 Line Arbor, 13'   | 169          | 008-815X13   | 1165.00         |
| <b>Counterweight Arbor Options</b>                                    |              |              |                 |
| Adder for Steel/UHMW Shoes 6", 7", 8", 9", 10" (Order 2 per arbor)    |              | Specify Size | 55.00           |
| Special Shoes, Grooves and Materials – Available upon request         |              |              | P.O.R.          |
| Adder for Roller Guides (Order 2 per arbor)                           |              | 007-TBRG     | 96.00           |
| <b>Wire Guide Counterweight Arbor, Single Purchase – 85 Series</b>    |              |              |                 |
| 4', Wire Guide Arbor  | 34           | 007-85X04    | 470.00          |
| 5', Wire Guide Arbor  | 37           | 007-85X05    | 480.00          |
| 6', Wire Guide Arbor  | 40           | 007-85X06    | 490.00          |
| 7', Wire Guide Arbor  | 43           | 007-85X07    | 500.00          |
| 8', Wire Guide Arbor  | 46           | 007-85X08    | 510.00          |
| <b>Lattice Track Counterweight Arbor, Single Purchase – 84 Series</b> |              |              |                 |
| 4', Lattice Track Arbor   | 35           | 007-84X04    | 575.00          |
| 5', Lattice Track Arbor   | 38           | 007-84X05    | 580.00          |
| 6', Lattice Track Arbor   | 41           | 007-84X06    | 585.00          |
| 7', Lattice Track Arbor   | 44           | 007-84X07    | 590.00          |
| 8', Lattice Track Arbor   | 47           | 007-84X08    | 600.00          |

**Q** - Quick Ship - See page 15 for details

## Counterweight Arbor Components

■ J-Guide/T-Bar arbors are provided with self-adhesive numbers.

### Double Purchase:

- Cast iron sheaves.
- 1/4" cable grooves and 3/4" rope groove.
- 1" tapered roller bearings in top sheave.

### Guides:

- Adjustable shoes for 6" - 8" centers are included with 15 Series Arbors.
- Bronze guides are furnished on 84 Series arbors.



007-15X04  
J-Guide/T-Bar Arbor



007-84X04  
Lattice Track Arbor

## Rope Lock Components

- Vinyl coated oval safety ring and mounting hardware are included.
- Optional padlock available to restrict use.



010-600R  
SureLock®

010-533R  
Rope Lock with  
Optional Padlock

## Counterweight Components

- Order by pounds not pieces.
- Weight and thickness may vary ±10%.
- Notched corners are included for easy handling.

### Options:

- Special sizes and shapes.

## Locking Rail Components

- Write-on index cards included.

### Options:

- Special construction and rope lock spacing available upon request.



011-538R6  
J-Guide Locking Rail



018-416  
Mobile Capstan Winch

015-151405  
Index Strip Light



## Rope Locks

| Description                         | Weight (lbs) | Product Code | List Price (Ea) |
|-------------------------------------|--------------|--------------|-----------------|
| Ductile Iron Rope Lock              | 8            | 010-533R     | 140.00 <b>Q</b> |
| Padlock for 010-533R                | 1            | 010-PLOCK    | 22.00           |
| SureLock®                           | 20           | 010-600R     | 695.00          |
| Replacement Lock Ring, Vinyl Coated | .1           | 010-533C     | 5.00            |

## Counterweight

| Description        | Weight (lbs) | Product Code | List Price        |
|--------------------|--------------|--------------|-------------------|
| 4" Wide X 1" Steel | 12           | 009-4X1      | P.O.R. * <b>Q</b> |
| 4" Wide X 2" Steel | 25           | 009-4X2      | P.O.R. * <b>Q</b> |
| 6" Wide X 1" Steel | 21           | 009-6X1      | P.O.R. * <b>Q</b> |
| 6" Wide X 2" Steel | 42           | 009-6X2      | P.O.R. * <b>Q</b> |

\*Counterweights are sold in full pallets of 1,000 lbs. only

## Locking Rails

| Description   | Weight (lbs) | Product Code | List Price    |
|---|--------------|--------------|---------------|
| J-Guide Locking Rail, Single Purchase, 6" Centers       | 18           | 011-538R6    | 125.00 ft.    |
| J-Guide Locking Rail, Single Purchase, 8" Centers       | 18           | 011-538R8    | 125.00 ft.    |
| J-Guide Locking Rail, Double Purchase, 6" Centers       | 18           | 011-538D6    | 200.00 ft.    |
| J-Guide Locking Rail, Double Purchase, 8" Centers       | 18           | 011-538D8    | 200.00 ft.    |
| Wire Guide Locking Rail, Single Purchase, 6" Centers    | 31           | 011-518R6    | 270.00 ft.    |
| Wire Guide Locking Rail, Single Purchase, 8" Centers    | 31           | 011-518R8    | 270.00 ft.    |
| Gallery Mounted Locking Rail, 6" Centers                | 20           | 011-558R6    | 190.00 ft.    |
| Gallery Mounted Locking Rail, 8" Centers                | 20           | 011-558R8    | 190.00 ft.    |
| Mobile Capstan Winch, 1500 lb. capacity (Rope included) | 400          | 018-416      | 13,500.00 ea. |
| Adder for Reaction Bar (Used with Capstan Winch)        | 6            | 011-BAR      | 40.00 ft.     |

## Index Lights

| Description                                | Weight (lbs) | Product Code | List Price |
|--|--------------|--------------|------------|
| 1 Circuit Index Strip Light, 5' UL Listed  | 15           | 015-151405   | 365.00 ea. |
| 1 Circuit Index Strip Light, 10' UL Listed | 30           | 015-151410   | 505.00 ea. |
| 2 Circuit Index Strip Light, 5' UL Listed  | 15           | 015-251405   | 430.00 ea. |
| 2 Circuit Index Strip Light, 10' UL Listed | 30           | 015-251410   | 610.00 ea. |
| Outrigger Bracket with 1-1/2" Half Clamp   | 30           | 015-96       | 165.00 ea. |
| Outrigger Batten Sleeve with Wall Plate    | 4            | 015-96WS     | 47.00 ea.  |

**Q** - Quick Ship - See page 15 for details

# Guide Tracks

| Description  | Weight (lbs) | Product Code     | List Price  |
|--|--------------|------------------|-------------|
| J-Guide System, Aluminum, Natural Finish, 6" or 8" Centers   | 3            | <b>012-1650</b>  | 10.70 ft.   |
| J-Guide System, Aluminum, Black Anodized, 6" or 8" Centers   | 3            | <b>012-1650B</b> | 14.25 ft.   |
| A-Guide System, Heavy Duty, Black Anodized, 6" or 8" Centers | 4            | <b>012-1751</b>  | 21.50 ft.   |
| T-Bar System, Steel (>700 Feet), 6" or 8" Centers            | 4            | <b>012-1500</b>  | 12.50 ft.   |
| T-Bar System, Steel (<700 Feet), 6" or 8" Centers            | 4            | <b>012-1501</b>  | 16.00 ft.   |
| Centers Other than 6" or 8"                                  | —            | <b>012-CTRS</b>  | add .50 ft. |
| Lattice Track with Bottom Bracket ( <i>specify offset</i> )  | 7            | <b>012-5049R</b> | 75.00 ft.   |
| Lattice Track Spring Bottom Bracket                          | 55           | <b>012-8049S</b> | 825.00 ea.  |

### Guide Track Components

- J-Guide and T-Bar Systems include:
  - J's or T's
  - Wall Battens
  - Wall Knees
  - Stop & Floor Battens
  - Assembly Bolts, Nuts, Washers
- Order by linear feet of guides required.
- Anchors and wood stops not included.

# Battens

| Description  | Weight (lbs) | Product Code      | List Price        |
|--|--------------|-------------------|-------------------|
| <b>Battens</b>                                       |              |                   |                   |
| 1-1/4" i.d. Schedule 40 Pipe Batten                  | 2.5          | <b>015-66R</b>    | P.O.R.            |
| 1-1/2" i.d. Schedule 40 Pipe Batten                  | 3            | <b>015-67R</b>    | P.O.R.            |
| 1-1/2" i.d. Schedule 80 Pipe Batten                  | 4            | <b>015-67H</b>    | P.O.R.            |
| 2" i.d. Schedule 40 Pipe Batten                      | 4            | <b>015-68R</b>    | P.O.R.            |
| 2-1/2" i.d. Schedule 40 Pipe Batten                  | 6            | <b>015-69R</b>    | P.O.R.            |
| 1-1/2" Schedule 40, Two Pipe Truss Batten            | 7            | <b>015-67T</b>    | P.O.R.            |
| Yellow Batten End Cap for 1-1/2" Schedule 40 Battens | .1           | <b>099-BATCAP</b> | 1.70 ea. <b>Q</b> |

### Batten Components

- 1-1/2" Sch 40 Battens come with yellow endcaps.
- All battens come with self-adhesive numbers, hardware, and sleeves.

### Batten Sleeves

|   |   |                 |                 |
|---|---|-----------------|-----------------|
| 1-1/4" Batten Sleeve, No Holes, 18" Long              | 3 | <b>015-66S</b>  | P.O.R.          |
| 1-1/2" Batten Sleeve, No Holes, 18" Long              | 3 | <b>015-67S</b>  | P.O.R. <b>Q</b> |
| 1-1/2" Batten Sleeve, No Holes, Schedule 80, 18" Long | 3 | <b>015-67HS</b> | P.O.R.          |
| 2" Batten Sleeve, No Holes, 18" Long                  | 4 | <b>015-68S</b>  | P.O.R.          |
| 2-1/2" Batten Sleeve, No Holes, 18" Long              | 9 | <b>015-69S</b>  | P.O.R.          |



099-BATCAP  
Yellow Batten End Cap

# Pipe Clamps

| Description              | Weight (lbs) | Product Code      | List Price (Ea) |
|--------------------------|--------------|-------------------|-----------------|
| 1-1/2" Half Pipe Clamp   | 1.5          | <b>026-21X1.5</b> | 17.00           |
| 2" Half Pipe Clamp       | 1.5          | <b>026-21X2.0</b> | 20.00           |
| 1-1/4" Full Pipe Clamp   | 1            | <b>026-22X1.2</b> | 10.00           |
| 1-1/2" Full Pipe Clamp   | 1            | <b>026-22X1.5</b> | 9.00 <b>Q</b>   |
| 2" Full Pipe Clamp       | 1            | <b>026-22X2.0</b> | 12.00           |
| 2-1/2" Full Pipe Clamp   | 1.5          | <b>026-22X2.5</b> | 30.00           |
| 1-1/2" Batten Trim Clamp | 2.5          | <b>026-23X1.5</b> | 65.00           |



026-21X1.5  
Half Pipe Clamp



026-22X1.5  
Full Pipe Clamp



026-23X1.5  
Batten Trim Clamp

# Forged Turnbuckles (Made in U.S.)

| Description              | Weight (lbs) | Product Code          | List Price (Ea) |
|--------------------------|--------------|-----------------------|-----------------|
| 5/16" x 4-1/2" Jaw & Eye | .5           | <b>032-220J&amp;E</b> | 32.00           |
| 3/8" x 6" Jaw & Eye      | 1            | <b>032-221J&amp;E</b> | 32.00           |
| 3/8" x 6" Jaw & Jaw      | 1            | <b>032-221J&amp;J</b> | 37.00           |
| 1/2" x 6" Jaw & Eye      | 2            | <b>032-222J&amp;E</b> | 37.00           |
| 1/2" x 12" Jaw & Eye     | 2.5          | <b>032-223J&amp;E</b> | 57.00           |
| 5/8" x 6" Jaw & Eye      | 2.6          | <b>032-224J&amp;E</b> | 52.00           |

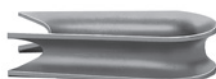


032-221J&E  
Jaw & Eye Turnbuckle

**Q - Quick Ship - See page 15 for details**



019-A0375R  
Round Pin Anchor Shackle



023-250C  
Thimble



021-250C  
Forged Cable Clip



025-250N  
Oval Sleeve



025-250S  
Stop Sleeve



025-3F6950  
Crimping Tool

## Anchor Shackles (Made in U.S.)

| Description                           | Weight (lbs) | Product Code     | List Price (Ea) |
|---------------------------------------|--------------|------------------|-----------------|
| 3/16" Round Pin Forged Anchor Shackle | .1           | <b>019-A187R</b> | 5.70            |
| 3/16" Screw Pin Forged Anchor Shackle | .1           | <b>019-A187S</b> | 6.00            |
| 1/4" Round Pin Forged Anchor Shackle  | .1           | <b>019-A250R</b> | 5.70            |
| 1/4" Screw Pin Forged Anchor Shackle  | .13          | <b>019-A250S</b> | 6.00            |
| 5/16" Round Pin Forged Anchor Shackle | .2           | <b>019-A312R</b> | 7.75            |
| 5/16" Screw Pin Forged Anchor Shackle | .2           | <b>019-A312S</b> | 7.10            |
| 3/8" Round Pin Forged Anchor Shackle  | .35          | <b>019-A375R</b> | 8.20            |
| 3/8" Screw Pin Forged Anchor Shackle  | .35          | <b>019-A375S</b> | 8.60            |

## Thimbles

| Description                     | Weight (lbs) | Product Code    | List Price (Ea) |
|---------------------------------|--------------|-----------------|-----------------|
| 1/8", Galvanized Cable Thimble  | .04          | <b>023-125C</b> | 1.00 <b>Q</b>   |
| 3/16", Galvanized Cable Thimble | .04          | <b>023-187C</b> | 1.00 <b>Q</b>   |
| 1/4", Galvanized Cable Thimble  | .04          | <b>023-250C</b> | .45 <b>Q</b>    |
| 5/16", Galvanized Cable Thimble | .04          | <b>023-312C</b> | 1.15            |
| 3/8", Galvanized Cable Thimble  | .08          | <b>023-375C</b> | 1.15            |

## Forged Cable Clips (Made in U.S.)

| Description             | Weight (lbs) | Product Code    | List Price (Ea) |
|-------------------------|--------------|-----------------|-----------------|
| 1/8" Forged Cable Clip  | .1           | <b>021-125C</b> | 3.20            |
| 3/16" Forged Cable Clip | .1           | <b>021-187C</b> | 3.45 <b>Q</b>   |
| 1/4" Forged Cable Clip  | .2           | <b>021-250C</b> | 4.10 <b>Q</b>   |
| 5/16" Forged Cable Clip | .3           | <b>021-312C</b> | 5.05            |
| 3/8" Forged Cable Clip  | .5           | <b>021-375C</b> | 5.50            |

## Nicopress® Tools & Sleeves

| Description  | Weight (lbs) | Product Code      | List Price (Ea) |
|--|--------------|-------------------|-----------------|
| <b>Copper Oval Sleeves</b>                             |              |                   |                 |
| 1/8", Oval Sleeve, 18-3-M                              | .05          | <b>025-125N</b>   | .60             |
| 3/16", Oval Sleeve, 18-6-X                             | .05          | <b>025-187N</b>   | 1.75 <b>Q</b>   |
| 1/4", Oval Sleeve, 18-10-F6                            | .08          | <b>025-250N</b>   | 2.55 <b>Q</b>   |
| 5/16", Oval Sleeve, 18-13-G9                           | .12          | <b>025-312N</b>   | 4.45 <b>Q</b>   |
| 3/8", Oval Sleeve, 18-23-H5                            | .15          | <b>025-375N</b>   | 6.85 <b>Q</b>   |
| <b>Copper Stop Sleeves</b>                             |              |                   |                 |
| 1/8", Stop Sleeve, 871-18-J                            | .01          | <b>025-125S</b>   | .35             |
| 3/16", Stop Sleeve, 871-20-M                           | .05          | <b>025-187S</b>   | .50             |
| 1/4", Stop Sleeve, 871-23-F6                           | .06          | <b>025-250S</b>   | 2.50            |
| 5/16", Stop Sleeve, 871-26-F6                          | .06          | <b>025-312S</b>   | 2.50            |
| 3/8", Stop Sleeve, 871-27-F6                           | .06          | <b>025-375S</b>   | 2.50            |
| <b>Tools</b>   |              |                   |                 |
| Crimping Tool for 1/8" Oval & Stop, 3/16" Stop Sleeves | 6            | <b>025-51MJ</b>   | 340.00          |
| Crimping Tool for 3/16" Oval Sleeves                   | 6            | <b>025-51X850</b> | 340.00          |
| Crimping Tool for 1/4" Oval & Stop Sleeves             | 15           | <b>025-3F6950</b> | 795.00          |
| "Go Gauge" for Nicopress Sleeves                       | —            | <b>025-2930</b>   | 32.00           |

**Q - Quick Ship - See page 15 for details**

# Wire Rope

| Description                          | Weight (lbs) | Product Code     | List Price      |
|--------------------------------------|--------------|------------------|-----------------|
| <b>2500' Reels</b>                   |              |                  |                 |
| 1/8", 7x19 Galvanized Utility Cable  | .03          | <b>020-125</b>   | P.O.R.          |
| 3/16", 7x19 Galvanized Utility Cable | .07          | <b>020-187</b>   | P.O.R. <b>Q</b> |
| 1/4", 7x19 Galvanized Utility Cable  | .11          | <b>020-250</b>   | P.O.R. <b>Q</b> |
| 5/16", 7x19 Galvanized Utility Cable | .18          | <b>020-312</b>   | P.O.R.          |
| 3/8", 7x19 Galvanized Utility Cable  | .25          | <b>020-375</b>   | P.O.R.          |
| <b>500' Reels</b>                    |              |                  |                 |
| 1/8", 7x19 Galvanized Utility Cable  | 15           | <b>020-125-5</b> | P.O.R.          |
| 3/8", 7x19 Galvanized Utility Cable  | 90           | <b>020-375-5</b> | P.O.R.          |

# Miscellaneous Rigging Hardware

| Description   | Weight (lbs) | Product Code     | List Price (Ea) |
|---|--------------|------------------|-----------------|
| 36" Trim Chain, 1/4" Proof Coil with 1/4" Shackle and 1/4" Thimble  | 2            | <b>015-1192</b>  | 17.00           |
| 36" Trim Chain, 1/4" Proof Coil with 5/16" Shackle and 1/4" Thimble | 2            | <b>015-1191</b>  | 19.00           |
| 36" Trim Chain, 1/4" Proof Coil with 1/4" Shackle and 3/16" Thimble | 2            | <b>015-1193</b>  | 17.00           |
| Beam Clamp, 3/8" Throat, 4"-8" Grip Range                           | 2            | <b>015-698</b>   | 23.00           |
| Beam Clamp, 3/4" Throat, 4"-9" Grip Range                           | 2            | <b>015-798</b>   | 23.00           |
| Guided Cable Clew, 8 Line, Heavy Duty                               | 5            | <b>015-27X8</b>  | 70.00           |
| Pipe Grid Cross Clamp for 1-1/2" i.d. Battens, with Black Hardware  | 2            | <b>015-100</b>   | 17.50           |
| J-Bolt, 3/8" x 4" with Nut and Washer                               | .1           | <b>043-4J</b>    | 1.25            |
| 1/4", Proof Coil Chain, Grade 30, Zinc Plated                       | .7           | <b>022-250</b>   | 1.95 ft.        |
| 3/8", Proof Coil Chain, Grade 30, Zinc Plated                       | 1.5          | <b>022-375</b>   | 4.00 ft.        |
| Cable Cradle for Cable up to 2" Diameter                            | 10           | <b>015-295</b>   | 59.00           |
| Double Purchase Cable Cradle  | 40           | <b>015-295DP</b> | 295.00          |

# Light Duty Blocks

| Description                     | Weight (lbs) | Product Code   | List Price (Ea) |
|---------------------------------|--------------|----------------|-----------------|
| 3", 1 Sheave for 3/8" Rope      | 3.5          | <b>013-175</b> | 93.00           |
| 3", 1 Sheave for 1/8" Wire Rope | 3.5          | <b>013-176</b> | 86.00           |
| 3", 2 Sheave for 3/8" Rope      | 4.5          | <b>013-275</b> | 123.00          |
| 3", 2 Sheave for 1/8" Wire Rope | 4.5          | <b>013-276</b> | 110.00          |
| 3", 3 Sheave for 3/8" Rope      | 5.5          | <b>013-375</b> | 180.00          |
| 3", 3 Sheave for 1/8" Rope      | 5.5          | <b>013-376</b> | 160.00          |

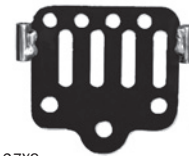
**Q - Quick Ship - See page 15 for details**

**Wire Rope**

■ Manufactured to Federal Specification RRW-410E.



015-798  
Beam Clamp



015-27X8  
Guided Cable Clew



015-100  
Pipe Grid Cross Clamp



022-250  
Proof Coil Chain



013-176  
Light Duty Block

## Synthetic Rope

- High strength polyester.
- No slivers.
- Rot resistant.
- SureGrip® is an improved version of Multiline II™ with wear indication.
- Multiline II™ 3-strand, twisted construction.
- Stage-Set X™ parallel filament core with braided cover.

### Options:

- Other sizes and colors.



028-750SG – SureGrip®



028-750X – Stage-Set X

## Synthetic Rope Sold in 600' and 1200' Rolls Only

| Description                        | Weight (lbs) | Product Code | List Price (Ft) |
|------------------------------------|--------------|--------------|-----------------|
| <b>5/8" Ropes</b>                  |              |              |                 |
| 5/8" Diameter Multiline II™        | .12          | 028-625M     | .85             |
| 5/8" Diameter Stage-Set X™         | .13          | 028-625X     | 1.55            |
| 5/8" Diameter Multiline II™, Black | .12          | 028-B625M    | 1.15            |
| 5/8" Diameter Stage-Set X™, Black  | .13          | 028-B625X    | 1.90            |
| <b>3/4" Ropes</b>                  |              |              |                 |
| 3/4" Diameter SureGrip®            | .16          | 028-750SG    | 1.00 <b>Q</b>   |
| 3/4" Diameter Stage-Set X™         | .18          | 028-750X     | 1.80            |
| 3/4" Diameter SureGrip®, Black     | .16          | 028-B750SG   | 1.35            |
| 3/4" Diameter Stage-Set X™, Black  | .18          | 028-B750X    | 2.20            |
| <b>7/8" Ropes</b>                  |              |              |                 |
| 7/8" Diameter Multiline II™        | .21          | 028-875M     | 1.70            |
| 7/8" Diameter Stage-Set X™         | .24          | 028-875X     | 2.75            |
| <b>1" Ropes</b>                    |              |              |                 |
| 1" Diameter Multiline II™          | .25          | 028-1000M    | 1.85            |
| 1" Diameter Stage-Set X™           | .34          | 028-1000X    | 3.45            |

## Rope Rigging Hardware

| Description                                  | Weight (lbs) | Product Code | List Price |
|--|--------------|--------------|------------|
| Pinrail, 3-1/2" Pipe (Min 4')                | 25           | 015-520R     | 215.00 ft. |
| Pinrail, Double Pipe, 3-1/2" Pipe (Min 4')   | 45           | 015-520D     | 250.00 ft. |
| Wood Belaying Pin, 21" Long, 1-1/8" Diameter | 1            | 015-249      | 18.00 ea.  |
| Steel Belaying Pin, 3/4" Diameter            | 2            | 015-439      | 37.00 ea.  |
| Steel Belaying Pin, 1-1/16" Diameter         | 2.2          | 015-449      | 31.00 ea.  |
| 10 lb. Sandbag (Without sand)                | 1            | 015-1096     | 60.00 ea.  |
| 25 lb. Sandbag (Without sand)                | 1            | 015-2596     | 63.00 ea.  |
| 50 lb. Sandbag (Without sand)                | 1            | 015-5096     | 65.00 ea.  |
| 100 lb. Sandbag (Without sand)               | 2            | 015-10096    | 100.00 ea. |
| 150 lb. Sandbag (Without sand)               | 2            | 015-15096    | 115.00 ea. |



015-520R and 015-249  
Pinrail with Belaying Pins

## Curtain Track Components

- Curtain tracks are furnished complete with all necessary accessories (CWANA) for normal use. Special features at additional cost.
- Carriers 12" centers.

### Options:

- Additional track styles, components, and curtain machines are available P.O.R.



024-280  
Heavy Duty Traveler Track

## Curtain Tracks

| Description                            | Weight (lbs) | Product Code | List Price (Ft) |
|--|--------------|--------------|-----------------|
| Aluminum I-Beam Track, Bi-parting      | 2            | 024-141      | 35.34           |
| Aluminum I-Beam Track—Walk Along       | 2            | 024-142      | 28.05           |
| Medium Duty Traveler Track, Bi-parting | 3            | 024-170      | 29.91           |
| Medium Duty Track—Walk Along           | 3            | 024-173      | 19.63           |
| Heavy Duty Traveler Track, Bi-parting  | 4            | 024-280      | 42.16           |
| Heavy Duty Track, Neoprene Wheels      | 4.5          | 024-281      | 79.15           |
| Heavy Duty Track, Nylon Wheels         | 4.5          | 024-282      | 70.98           |
| Heavy Duty Track, Nylon Wheels         | 5            | 024-283N     | 78.22           |
| Heavy Duty Track, Neoprene Wheels      | 5            | 024-283R     | 94.87           |
| Floor Block Sand Bag                   | 15           | 015-FBSB     | 65.00           |

**Q** - Quick Ship - See page 15 for details

## Smoke Pockets

| Description                              | Weight (lbs) | Product Code      | List Price (Ea) |
|--|--------------|-------------------|-----------------|
| 6" Deep Smoke Pocket, 5 feet             | 111          | <b>016-106005</b> | 600.00          |
| 6" Deep Smoke Pocket, 10 feet            | 222          | <b>016-106010</b> | 990.00          |
| 8" Deep Smoke Pocket, 5 feet             | 119          | <b>016-108005</b> | 600.00          |
| 8" Deep Smoke Pocket, 10 feet            | 238          | <b>016-108010</b> | 1150.00         |
| 6" Deep Smoke Pocket with Track, 5 feet  | 125          | <b>016-106T05</b> | 775.00          |
| 6" Deep Smoke Pocket with Track, 10 feet | 250          | <b>016-106T10</b> | 1335.00         |

## Fire Curtain Hardware

| Description   | Weight (lbs) | Product Code     | List Price (Ea) |
|---|--------------|------------------|-----------------|
| Smoke Seal Assembly, 4 feet long  | 6            | <b>016-SEAL4</b> | 70.00           |
| Round Weight Arbor  | 3            | <b>016-8</b>     | 45.00           |
| Round Weight Arbor Guard  | 15           | <b>016-13</b>    | 135.00          |
| 5# Round Weight   | 5            | <b>016-9</b>     | 9.00            |
| Square Floor Plate  | .8           | <b>016-97</b>    | 35.00           |
| Fire Line Release, Lever with Sign  | 3            | <b>016-14L</b>   | 120.00          |
| Fire Release Enclosure  | 10           | <b>016-14EX</b>  | 130.00          |
| Curtain Guide, Bronze Spool   | .3           | <b>016-170</b>   | 12.50           |
| Curtain Guide, Plastic Spool  | .15          | <b>016-171</b>   | 10.00           |
| Curtain Guide, Steel Rollers  | 1.3          | <b>016-370</b>   | 50.00           |
| Sure Guard II® Electrical Release System - UL Listed                          | 40           | <b>016-970</b>   | 1,900.00        |
| Fire Curtain Arbor Release –<br><i>Includes awning pulley, ring, shackles</i> | 10           | <b>016-AR</b>    | 200.00          |
| Hydraulic Dashpot, 60" Stroke, Heavy Duty                                     | 200          | <b>016-410L</b>  | 8,900.00        |
| Hydraulic Dashpot, 60" Stroke   | 115          | <b>016-411L</b>  | 7,550.00        |
| Fusible Link, Model-D, 165°F  | .04          | <b>016-7519</b>  | 3.90            |
| Electro Thermal Link  | .2           | <b>016-ETL</b>   | 195.00          |
| Rate of Rise Detector   | 5            | <b>099-281B</b>  | 40.00           |
| Swivel Eye Awning Pulley  | 1            | <b>099-SWEP</b>  | 31.00           |
| 2# Line Weight  | 2            | <b>016-10</b>    | 65.00           |

## Fire Curtain Winches

| Description                                     | Weight (lbs) | Product Code    | List Price (Ea) |
|---|--------------|-----------------|-----------------|
| Manual Brail Winch w/Hydraulic Descent Control  | 315          | <b>016-430H</b> | 7,050.00        |
| Powered Brail Winch w/Hydraulic Descent Control | 320          | <b>016-430P</b> | P.O.R.          |
| Fire Curtain Traction Winch, 2000 lb. Capacity  | –            | <b>016-2TW</b>  | P.O.R.          |



016-9  
Round Weight



016-SEAL4  
Smoke Seal Assembly



016-14L  
Fire Line Release



016-14EX  
Fire Release Enclosure



016-970 – Sure Guard II®  
Electrical Release System



016-AR  
Fire Curtain Arbor Release



016-7519  
Fusible Link

### Console Components

- Uses simple, touch screen for selection and control of hoists.
- Custom 3D view of your stage makes operation instinctive.
- Two independent playbacks allow dramatic movements.
- Two joysticks for instant speed override.
- Reliable, industrial components for dependable performance.

### PowerLift Hoist Components

- PowerLift Hoists include:
  - 7 x 3/16" Diameter Lift Lines
  - 65' of Travel
  - Motor Brake and SureBrake™ Load Brake
  - Integral Head Block
  - Normal & Overtravel Limit Switches
  - Power & Control Cables w/Connector, Mating Receptacles, and Wireway Receptacle Boxes, as appropriate

### Control Stations Components

- Control Stations include:
  - Key Operated On/Off Switch
  - Red Mushroom Head E-Stop Button
  - Service Light

## SceneControl® Console

| Description  | Weight (lbs) | Product Code      | List Price |
|--|--------------|-------------------|------------|
| SceneControl 500, Wall or Table Mount  |              | <b>050-SC500</b>  | P.O.R.     |
| SceneControl 500, Adjustable Height Pedestal, Meets ADA Requirements                   |              | <b>050-SC500P</b> | P.O.R.     |
| Hand Held Pendant  |              | <b>050-SCP</b>    | P.O.R.     |
| SceneControl 100, 1-5 Channels, Fixed or Variable Speed, 6" Touch Screen, Text Display |              | <b>050-SC100</b>  | P.O.R.     |

## PowerLift® Hoist

| Description   | Weight (lbs) | Product Code      | List Price |
|---|--------------|-------------------|------------|
| <b>Fixed Speed</b>  |              |                   |            |
| 20 fpm, 2,000 lbs, 1.5 hp ( <i>Push Button Control Only</i> ) | 750          | <b>018-P0220</b>  | P.O.R.     |
| 20 fpm, 2,000 lbs, 1.5 hp ( <i>Used with SceneControl</i> )   | 750          | <b>018-P0220F</b> | P.O.R.     |
| <b>Variable Speed – Used with SceneControl System</b>         |              |                   |            |
| 120 fpm, 1,200 lbs, 5 hp                                      | 770          | <b>018-P1212V</b> | P.O.R.     |
| 120 fpm, 2,000 lbs, 7.5 hp                                    | 800          | <b>018-P1220V</b> | P.O.R.     |
| 180 fpm, 1,200 lbs, 7.5 hp                                    | 800          | <b>018-P1812V</b> | P.O.R.     |
| <b>PowerLift Options</b>                                      |              |                   |            |
| Load Monitoring Option  | 5            | <b>018-PLLOAD</b> | P.O.R.     |
| Cover   | 20           | <b>14-130</b>     | P.O.R.     |
| Maintenance Pendant   | 12           | <b>050-PLMP</b>   | P.O.R.     |

## PowerAssist® Hoist

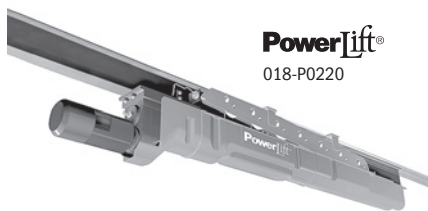
| Description   | Weight (lbs) | Product Code     | List Price |
|---|--------------|------------------|------------|
| 25 fpm, 2,000 lb Set Capacity, Single Purchase  | 200          | <b>018-PA</b>    | P.O.R.     |
| 25 fpm, 2,000 lb Set Capacity, Double Purchase – <i>Includes new arbor and head block</i> | 425          | <b>018-PA DP</b> | P.O.R.     |
| SceneControl 50 Position Control  | 25           | <b>050-SC50</b>  | P.O.R.     |

## Push Button Control Stations

| Description            | Weight (lbs) | Product Code   | List Price |
|------------------------|--------------|----------------|------------|
| Single Channel Station | 13           | <b>050-CS1</b> | P.O.R.     |
| Two Channel Station    | 15           | <b>050-CS2</b> | P.O.R.     |
| Three Channel Station  | 15           | <b>050-CS3</b> | P.O.R.     |



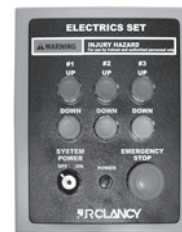
**SceneControl®**  
050-SC500P



**PowerLift®**  
018-P0220



**PowerAssist®**  
018-PA



050-CS3  
Three Channel Station

# Doing Business with J.R. Clancy



## Please Don't Hesitate To Contact Us

We're here to answer your questions or concerns. Please feel free to contact us for technical assistance, budgets, quotations, or product information. You can also check on your order, get help with installation questions or safety issues, or just share ideas with us. We're committed to meeting your needs and we'll do everything possible to give you 100% satisfaction.

## We're a 24-Hour Company

Our office hours are 7:30AM–5:30PM EST/EDT Monday through Friday. However, with our voice and e-mail systems, you can leave orders or messages **at any time, day or night**. If your call is extremely urgent, you will be able to reach an operator who will have the appropriate person return your call.

### FOUR WAYS TO REACH US QUICKLY

Phone: **1-800-836-1885** or  
**1-315-451-3440**

Fax: **1-315-451-1766**

E-Mail: **rigging@jrclancy.com**

Web: **www.jrclancy.com**

## The **Extraordinary** Guarantee™ On-Time. Complete. Correct.

### We're 100% committed to your being totally satisfied with our equipment.

We promise to provide you safe, quality equipment that is on-time, complete, and correct. If you feel we've not met this commitment in any way and have caused you to spend additional time or money, we'll make it right at our expense. We'll send you a replacement, allow you to return it for full credit, or reimburse your direct out-of-pocket expense for correcting the problem.

## Prices are Based on Standard Equipment

This price schedule is effective on January 1, 2009, and may change without notice. All transactions are subject to our terms and conditions which may be found on our website. Prices are based on standard equipment and any modifications are billed as extras. You are responsible for taxes or other fees.

## Typical Turnaround Times

**Please let us know if you have special time requirements — we'll do our best to work with you.**

**Quick Ship:** Up to three sets of standard equipment can be shipped within three business days of receiving your order.

**Standard Equipment:** Up to 20 sets of equipment can be shipped in 2-4 weeks from receipt of your order if no modifications are required. T-Bar, J-Guide™, and modified equipment (special mounting, extended base angles, etc.) will take longer, as we'll prepare drawings for your approval before fabricating the equipment. Typically drawings take 2-3 weeks to prepare after you have provided complete information; once you approve the drawings, 4-6 weeks will be required to fabricate your equipment.

**Custom Equipment:** Motorized components, special sheaves, or other engineered equipment will take a little longer.

## Taxes, Freight, and Duties

Prices do not include taxes, freight, or duties. Shipments are FOB Syracuse, NY. You may, at any time, arrange for transportation.

Otherwise, we will ship by a method with which we are most familiar and request insurance equal to the value of your order. To recover the cost of handling these arrangements for you, we add 10% to the actual shipping charge.

The carrier is solely responsible during shipment. In the event of loss or damage, we will do everything to help. Claims, however, must be filed by you directly with the carrier regardless of who has arranged the transportation. We will be happy to assist with international shipping.

## Payment Terms

Open accounts with net 30 day terms are available to credit-qualified customers. Alternative payment terms, such as payment by joint check or pre-payment are also available. We may request deposits and progress payments on custom equipment or large orders. Large international shipments of products

not prepaid require a letter of credit. For orders under \$100; we ask that these orders be paid in advance or charged to a VISA, MasterCard, or AmericanExpress.

All invoices not paid when due are charged interest at 2% per month, and costs of collection are paid by the invoiced party.

## Handling Returns

Mistakes can happen, so please call us if you need to return a standard item. We'll give you a return authorization, and ask that you return equipment within 60 days. Returns may be subject to a restocking fee.

## Three-Year Warranty

We warrant all equipment manufactured by us to be free from defects in material and workmanship for three (3) years from date of installation. At our option, we will repair, replace, or refund the purchase price of the equipment. Any warranty on items manufactured by others will be assigned to you.

In the case of motorized equipment and equipment comprising an integrated theatre rigging system, the three-year warranty is contingent on inspection of the equipment and training on its use being provided annually by a J.R. Clancy-authorized technician. It is the responsibility of the end user to make arrangements with J.R. Clancy for the annual inspection and training. Failure to obtain the inspection and training annually will void the three-year warranty.

No claims will be honored for equipment which, in our opinion, has become defective due to misuse, abuse, accident, act of God, alteration, vandalism, improper installation, or improper maintenance. Ordinary wear and tear is also excluded.

We make no implied warranties of any kind, including warranty, or merchantability, or warranty of fitness for a particular purpose, all of which are expressly disclaimed. We will not be liable under this warranty for consequential or incidental damages of any kind, including damages due to lost profits, loss of use, delays, personal injury, or property damage.

Looking for more information?

Visit us online at  
[www.jrclancy.com](http://www.jrclancy.com)



- ▶ **Complete Product Information** — You'll find information on all of our standard products, including photos, descriptions, dimensions, and specifications.
- ▶ **Automated Rigging & Controls** — Everything you want to know from product data, installation tips, white papers, and magazine articles, to specs and manuals.
- ▶ **Operations Manuals** — Available for counterweight sets and fire curtains, as well as our control systems.
- ▶ **Safety Signs** — You can order or download signs with rigging safety data, operation instructions, and a place for you to list set capacities.
- ▶ **Parts Pricing** — Information and prices for spare parts and accessories.
- ▶ **System Design Guide** — This booklet will help you explain the why's and how's of rigging to architects, owners, and other decision makers.
- ▶ **Posters** — Another great tool explaining how rigging works — request these for free!

## Don't miss these other informative sites, too:

- ▶ [www.rigging-safety.com](http://www.rigging-safety.com)

A great source of rigging safety information for users, educators, architects, and dealers.

- ▶ [www.surelock.info](http://www.surelock.info)

Learn more about SureLock® rope locks and why they could be right for your theatre.



**Design, Manufacture and Installation of Theatrical Equipment Worldwide**  
7041 Interstate Island Road ■ Syracuse, NY USA 13209 ■ Fax: (315) 451-1766  
(315) 451-3440 ■ 1-800-836-1885 ■ [rigging@jrclancy.com](mailto:rigging@jrclancy.com) ■ [www.jrclancy.com](http://www.jrclancy.com)